

Reach beyond the **conventional...**

## Bhartia Enclosures



BCH ELECTRIC LIMITED



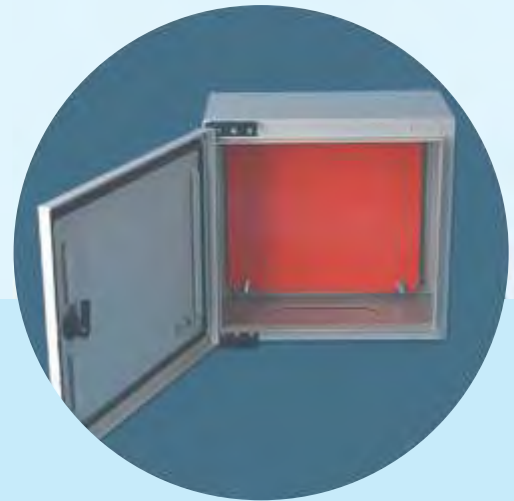
Bhartia Enclosures and Terminal Boxes provide a versatile solutions for modern hi-tech industrial applications. Being robust, compact & flexible, the product range offers utmost safety. Ideally suitable for Junction Boxes, Control Panels, Consoles, Distribution Boards, Starter Enclosures, Electronic Equipment Housing, Network Distributors, Server and Data Storage Racks and many more applications, the enclosures are available in IP 55 & IP 66.

## The Manufacturing Process

Our state-of-the-art suitably augmented manufacturing infrastructure, produces enclosures that excel to offer cost effectiveness . Our focus is on strong infrastructure, high efficiency and consistent quality.



- High quality CRCA (branded) steel sheets
- High-speed turret punch press with superior servo drive & accuracy
- CNC machines are supported by Pro E compatible software, which enables CAD to CAM manufacturing, for customized products
- CNC bending machines with very high degree of accuracy, reproducibility & repeatability
- The fabrication process designed with TIG, MIG & spot welding ensures strong structures
- Modern paint shop installed by Haden International Group
- The pre-treatment is done using spray jets and cascade rinsing, which ensures optimized usage of chemicals.
- Paint shop is fitted with advanced automatic powder application system from ITW GEMA, Switzerland
- The door panels are processed with foam gasketing - made from Poly Urethane polymer for long life.
- The gasket laying machine is a state-of-the-art 3-Axis CNC machine from Europe
- Tri-cationic zinc Phosphating for higher salt spray life

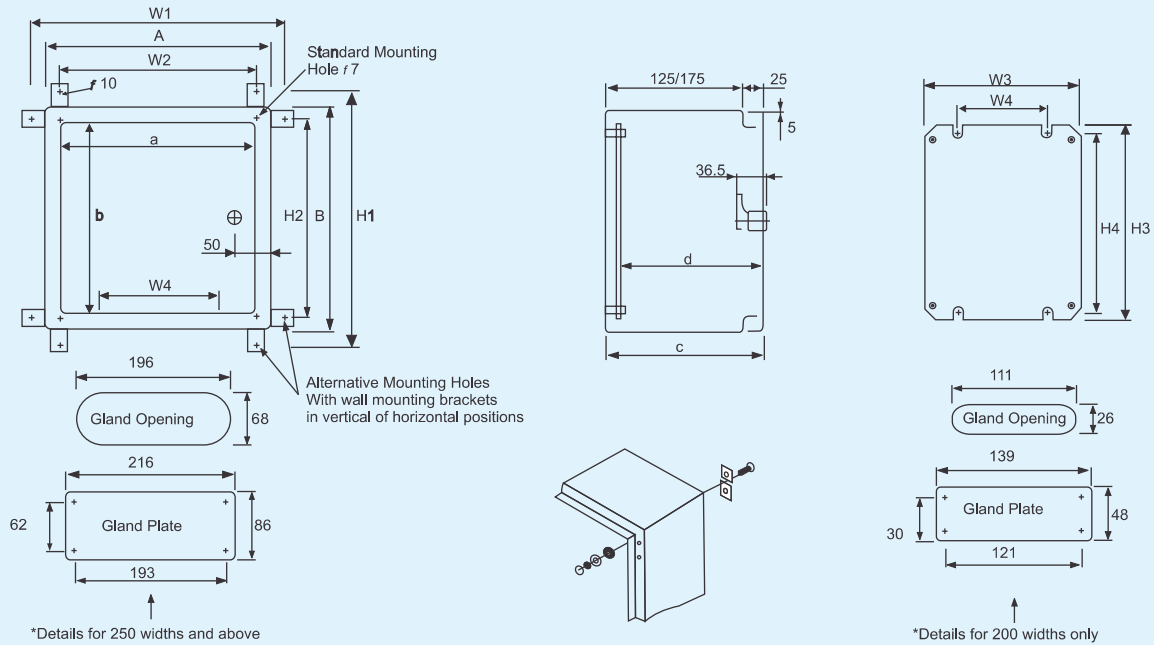


## Bhartia Enclosures IP 55 & IP 66

- Range : (W x H x D in mm) : 200 x 200 x 150 through 1000 x 1200 x 300
- Available in IP 55 and IP 66 degree of protection
- Fabricated using CRCA draw quality sheet steel :  
Body and Door : 1.2mm thickness upto 500 x 400 x 200 and 1.6 mm thickness beyond  
Mounting plate and Gland plate : 2 mm thickness
- Powder coated paint finish :  
Body - RAL 7035 Structure finish  
Mounting plate - Electrogalvanized. [Deep orange (RAL 2000) on request/special case]
- Foamed-in PU gasket for superior and long lasting ingress protection
- Gland plate provided at bottom for IP 55
- Wall mounting brackets sets [4 brackets with fixing h/w] available as spare for small and bigger sizes enclosure.
- Customised Solutions  
Ability to meet special requirements like non standard sizes, colours, door configuration, locking arrangement.



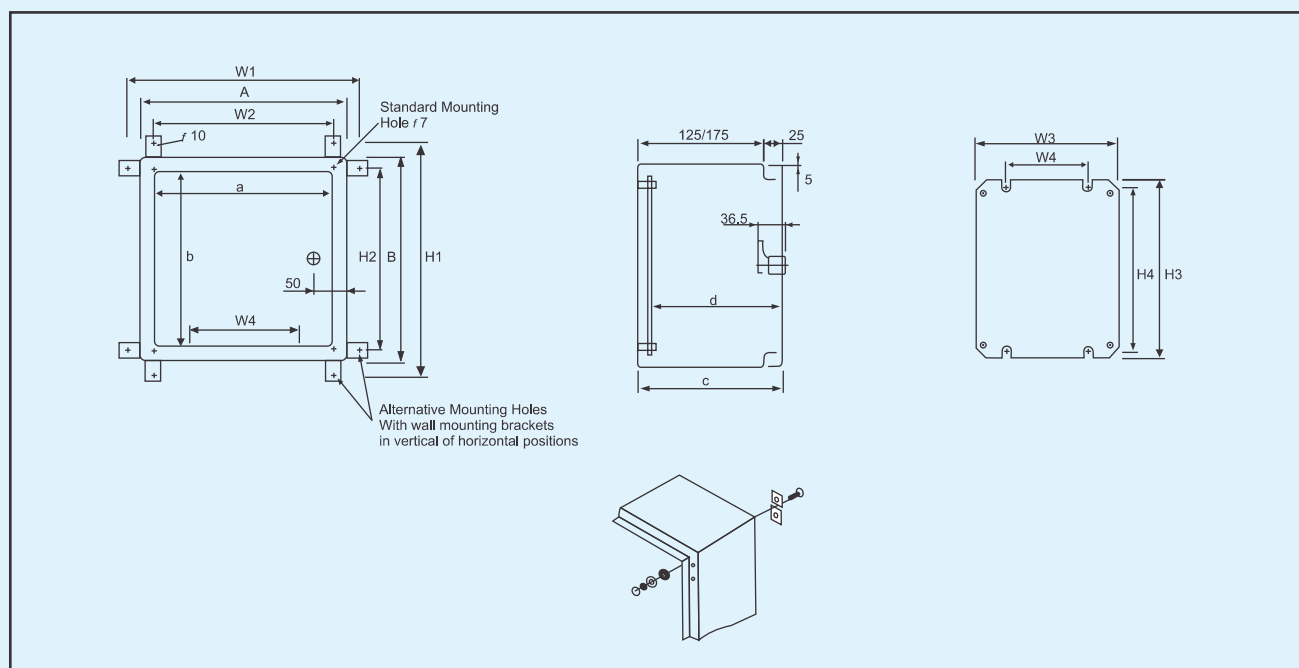
# Bhartia Box IP 55 - Mounting Details



| CAT. NO.           | OVERALL SIZE. |      |     | OPENING DEPTH |      |     | MOUNTING HOLE POSITIONS |     |      |      | MOUNTING PLATE HOLE SIZE |      |     |      |
|--------------------|---------------|------|-----|---------------|------|-----|-------------------------|-----|------|------|--------------------------|------|-----|------|
|                    | A             | B    | C   | a             | b    | c   | W1                      | W2  | H1   | H2   | W3                       | H3   | W4  | H4   |
| <b>SINGLE DOOR</b> |               |      |     |               |      |     |                         |     |      |      |                          |      |     |      |
| BIL 50000          | 200           | 200  | 150 | 150           | 150  | 135 | 250                     | 160 | 250  | 160  | 140                      | 176  | 100 | 106  |
| BIL 50010          | 200           | 300  | 150 | 150           | 250  | 135 | 250                     | 160 | 350  | 260  | 140                      | 276  | 100 | 206  |
| BIL 50020          | 250           | 300  | 200 | 200           | 250  | 135 | 300                     | 210 | 350  | 260  | 190                      | 276  | 150 | 206  |
| BIL 50030          | 300           | 300  | 250 | 250           | 250  | 135 | 350                     | 260 | 350  | 260  | 240                      | 276  | 200 | 206  |
| BIL 50050          | 300           | 300  | 250 | 250           | 250  | 185 | 350                     | 260 | 350  | 260  | 240                      | 276  | 200 | 206  |
| BIL 50060          | 300           | 400  | 250 | 250           | 350  | 135 | 350                     | 260 | 450  | 360  | 240                      | 376  | 200 | 306  |
| BIL 50080          | 300           | 400  | 250 | 250           | 350  | 185 | 350                     | 260 | 450  | 360  | 240                      | 376  | 200 | 306  |
| BIL 50090          | 400           | 300  | 350 | 350           | 250  | 135 | 450                     | 360 | 350  | 260  | 340                      | 276  | 300 | 206  |
| BIL 50110          | 400           | 300  | 350 | 350           | 250  | 185 | 450                     | 360 | 350  | 260  | 340                      | 276  | 300 | 206  |
| BIL 50120          | 400           | 400  | 350 | 350           | 350  | 135 | 450                     | 360 | 450  | 360  | 340                      | 376  | 300 | 306  |
| BIL 50140          | 400           | 400  | 350 | 350           | 350  | 185 | 450                     | 360 | 450  | 360  | 340                      | 376  | 300 | 306  |
| BIL 50150          | 400           | 500  | 350 | 350           | 450  | 135 | 450                     | 360 | 550  | 460  | 340                      | 476  | 300 | 406  |
| BIL 50170          | 400           | 500  | 350 | 350           | 450  | 185 | 450                     | 360 | 550  | 460  | 340                      | 476  | 300 | 406  |
| BIL 50190          | 400           | 600  | 350 | 350           | 550  | 185 | 450                     | 360 | 650  | 560  | 340                      | 576  | 300 | 506  |
| BIL 50210          | 500           | 600  | 450 | 450           | 550  | 185 | 550                     | 460 | 650  | 560  | 440                      | 576  | 400 | 506  |
| BIL 50220          | 500           | 700  | 450 | 450           | 650  | 185 | 550                     | 460 | 750  | 660  | 440                      | 676  | 400 | 606  |
| BIL 50230          | 500           | 700  | 450 | 450           | 650  | 285 | 550                     | 460 | 750  | 660  | 440                      | 676  | 400 | 606  |
| BIL 50240          | 600           | 400  | 550 | 550           | 350  | 185 | 650                     | 560 | 450  | 360  | 540                      | 376  | 500 | 306  |
| BIL 50250          | 600           | 400  | 550 | 550           | 350  | 285 | 650                     | 560 | 450  | 360  | 540                      | 376  | 500 | 306  |
| BIL 50260          | 600           | 500  | 550 | 550           | 450  | 185 | 650                     | 560 | 550  | 460  | 540                      | 476  | 500 | 406  |
| BIL 50270          | 600           | 600  | 550 | 550           | 550  | 185 | 650                     | 560 | 650  | 560  | 540                      | 576  | 500 | 506  |
| BIL 50280          | 600           | 600  | 550 | 550           | 550  | 285 | 650                     | 560 | 650  | 560  | 540                      | 576  | 500 | 506  |
| BIL 50290          | 600           | 700  | 550 | 550           | 650  | 185 | 650                     | 560 | 750  | 660  | 540                      | 676  | 500 | 606  |
| BIL 50300          | 600           | 800  | 550 | 550           | 750  | 185 | 650                     | 560 | 850  | 760  | 540                      | 776  | 500 | 706  |
| BIL 50320          | 600           | 800  | 550 | 550           | 750  | 285 | 650                     | 560 | 850  | 760  | 540                      | 976  | 500 | 906  |
| BIL 50330          | 600           | 1000 | 550 | 550           | 950  | 185 | 650                     | 560 | 1050 | 960  | 540                      | 976  | 500 | 906  |
| BIL 50340          | 600           | 1000 | 550 | 550           | 950  | 285 | 650                     | 560 | 1050 | 960  | 540                      | 976  | 500 | 906  |
| BIL 50310          | 800           | 800  | 750 | 750           | 750  | 285 | 850                     | 760 | 850  | 760  | 740                      | 776  | 700 | 706  |
| BIL 50350          | 800           | 1000 | 750 | 750           | 950  | 185 | 850                     | 760 | 1050 | 960  | 740                      | 976  | 700 | 906  |
| BIL 50360          | 800           | 1000 | 750 | 750           | 950  | 235 | 850                     | 760 | 1050 | 960  | 740                      | 976  | 700 | 906  |
| BIL 50390          | 800           | 1000 | 750 | 750           | 950  | 285 | 850                     | 760 | 1050 | 960  | 740                      | 976  | 700 | 906  |
| BIL 50395          | 800           | 1200 | 750 | 750           | 1150 | 285 | 850                     | 760 | 1250 | 1160 | 740                      | 1176 | 700 | 1106 |
| <b>DOUBLE DOOR</b> |               |      |     |               |      |     |                         |     |      |      |                          |      |     |      |
| BIL 50500          | 1000          | 800  | 950 | 950           | 750  | 185 | 1050                    | 960 | 850  | 760  | 940                      | 776  | 900 | 706  |
| BIL 50520          | 1000          | 800  | 950 | 950           | 750  | 285 | 1050                    | 960 | 850  | 760  | 940                      | 776  | 900 | 706  |
| BIL 50540          | 1000          | 1000 | 950 | 950           | 950  | 285 | 1050                    | 960 | 1050 | 960  | 940                      | 976  | 900 | 906  |
| BIL 50550          | 1000          | 1200 | 950 | 950           | 1150 | 285 | 1050                    | 960 | 1250 | 1160 | 940                      | 1176 | 900 | 1106 |

\*All dimensions in mm

# Bhartia Box IP 66 - Mounting Details



| CAT. NO.  | OVERALL SIZE |     |     | OPENING DEPTH |     |     | MOUNTING HOLE POSITIONS |     |     |     | MOUNTING PLATE HOLE SIZE |     |     |     | MOUNTING PLATE HOLE SIZE |     |     |     |
|-----------|--------------|-----|-----|---------------|-----|-----|-------------------------|-----|-----|-----|--------------------------|-----|-----|-----|--------------------------|-----|-----|-----|
|           | A            | B   | C   | A             | B   | C   | W1                      | W2  | H1  | H2  | W3                       | H3  | W4  | H4  | W3                       | H3  | W4  | H4  |
| BIL 60000 | 200          | 200 | 150 | 150           | 150 | 135 | 250                     | 160 | 250 | 160 | 140                      | 176 | 100 | 106 | 140                      | 176 | 100 | 106 |
| BIL 60010 | 200          | 300 | 150 | 150           | 250 | 135 | 250                     | 160 | 350 | 260 | 140                      | 276 | 100 | 206 | 140                      | 276 | 100 | 206 |
| BIL 60020 | 250          | 300 | 150 | 200           | 250 | 135 | 300                     | 210 | 350 | 260 | 190                      | 276 | 150 | 206 | 190                      | 270 | 150 | 206 |
| BIL 60030 | 300          | 300 | 150 | 250           | 250 | 135 | 350                     | 260 | 350 | 260 | 240                      | 276 | 200 | 206 | 240                      | 276 | 200 | 206 |
| BIL 60050 | 300          | 300 | 200 | 250           | 250 | 185 | 350                     | 260 | 350 | 260 | 240                      | 276 | 200 | 206 | 240                      | 276 | 200 | 206 |
| BIL 60060 | 300          | 400 | 150 | 250           | 350 | 135 | 350                     | 260 | 450 | 360 | 240                      | 376 | 200 | 306 | 240                      | 376 | 200 | 306 |
| BIL 60080 | 300          | 400 | 200 | 250           | 350 | 185 | 350                     | 260 | 450 | 360 | 240                      | 376 | 200 | 306 | 240                      | 376 | 200 | 306 |
| BIL 60090 | 400          | 300 | 150 | 350           | 250 | 135 | 450                     | 360 | 350 | 260 | 340                      | 276 | 300 | 206 | 340                      | 276 | 300 | 306 |
| BIL 60110 | 400          | 300 | 200 | 350           | 250 | 185 | 450                     | 360 | 350 | 260 | 340                      | 276 | 300 | 206 | 340                      | 276 | 300 | 206 |
| BIL 60120 | 400          | 400 | 150 | 350           | 350 | 135 | 450                     | 360 | 450 | 360 | 340                      | 376 | 300 | 306 | 340                      | 376 | 300 | 306 |
| BIL 60140 | 400          | 400 | 200 | 350           | 350 | 185 | 450                     | 360 | 450 | 360 | 340                      | 376 | 300 | 306 | 340                      | 376 | 300 | 306 |
| BIL 60150 | 400          | 500 | 150 | 350           | 450 | 135 | 450                     | 360 | 550 | 460 | 340                      | 476 | 300 | 406 | 340                      | 476 | 300 | 406 |
| BIL 60170 | 400          | 500 | 200 | 350           | 450 | 185 | 450                     | 360 | 550 | 460 | 340                      | 476 | 300 | 406 | 340                      | 476 | 300 | 406 |
| BIL 60190 | 400          | 600 | 200 | 350           | 550 | 185 | 450                     | 360 | 650 | 560 | 340                      | 576 | 300 | 506 | 340                      | 576 | 300 | 506 |
| BIL 60210 | 500          | 600 | 200 | 450           | 550 | 185 | 550                     | 460 | 650 | 560 | 440                      | 576 | 400 | 506 | 440                      | 576 | 400 | 506 |
| BIL 60240 | 600          | 400 | 200 | 550           | 350 | 185 | 650                     | 560 | 450 | 360 | 540                      | 376 | 500 | 306 | 540                      | 376 | 500 | 306 |
| BIL 60260 | 600          | 500 | 200 | 550           | 450 | 185 | 650                     | 560 | 550 | 460 | 540                      | 476 | 500 | 406 | 540                      | 476 | 500 | 406 |

\*All dimensions in mm

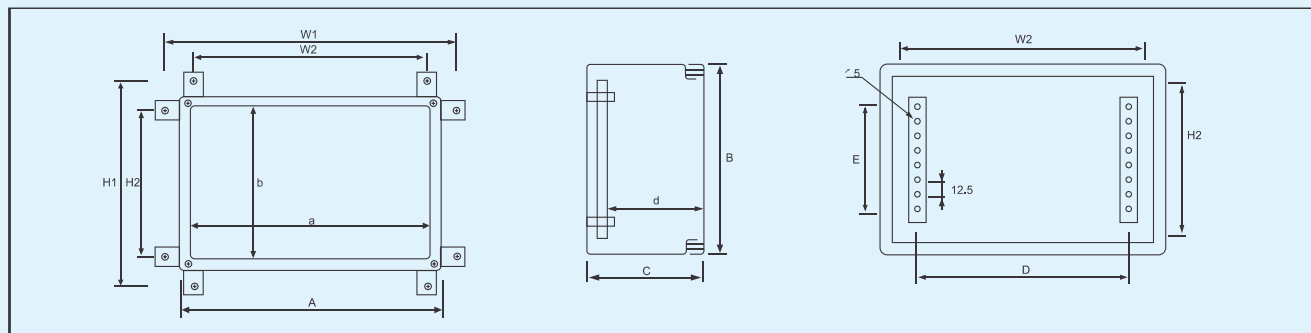


## Terminal Boxes

- 43 standard variants
- Range : (W x H x D in mm) : 150 x 150 x 80 through 800 x 400 x 120
- Available in IP 55 and IP 66 degree of protection
- Fabricated from 1.2 mm CRCA sheet steel
- Foamed-in PU gasket
- Powder coated to shade RAL 7035
- Provided with screwed cover on top
- Hingeable door with knob type locking for all sizes possible on request [Under customized category]
- Two nos vertical mounting brackets provided as standard accessory
- Holes with grommet provided to facilitate cable entry in IP 55 terminal boxes
- Wall mounting brackets setd [4 brackets with fixing h/w] available as spare



## Terminal Box IP 55 - Mounting Details



| CAT. NO.    | OVERALL SIZE |       |       |       |       | OPENING SIZE |     |     | MOUNTING POSITION |     |     |     |
|-------------|--------------|-------|-------|-------|-------|--------------|-----|-----|-------------------|-----|-----|-----|
|             | A            | B     | C     | D     | E     | a            | b   | d   | W1                | W2  | H1  | H2  |
| BIL - 70000 | 150          | x 150 | x 80  | x 75  | x 75  | 125          | 125 | 63  | 190               | 110 | 190 | 110 |
| BIL - 70010 | 300          | x 150 | x 80  | x 225 | x 75  | 275          | 125 | 63  | 340               | 260 | 190 | 110 |
| BIL - 70020 | 200          | x 200 | x 80  | x 25  | x 125 | 175          | 175 | 63  | 240               | 160 | 240 | 160 |
| BIL - 70030 | 300          | x 200 | x 80  | x 225 | x 125 | 275          | 175 | 63  | 340               | 260 | 240 | 160 |
| BIL - 70040 | 150          | x 150 | x 120 | x 75  | x 75  | 125          | 125 | 103 | 190               | 110 | 190 | 110 |
| BIL - 70050 | 300          | x 150 | x 120 | x 225 | x 75  | 275          | 125 | 103 | 340               | 260 | 190 | 110 |
| BIL - 70060 | 200          | x 200 | x 120 | x 25  | x 125 | 175          | 175 | 103 | 240               | 160 | 240 | 160 |
| BIL - 70070 | 300          | x 200 | x 120 | x 225 | x 125 | 275          | 175 | 103 | 340               | 260 | 240 | 160 |
| BIL - 70080 | 400          | x 200 | x 120 | x 325 | x 125 | 375          | 175 | 103 | 440               | 360 | 240 | 160 |
| BIL - 70090 | 300          | x 300 | x 120 | x 225 | x 225 | 275          | 275 | 103 | 340               | 260 | 340 | 260 |
| BIL - 70180 | 400          | x 300 | x 120 | x 225 | x 225 | 375          | 275 | 103 | 440               | 360 | 340 | 260 |
| BIL - 70190 | 400          | x 400 | x 120 | x 325 | x 325 | 375          | 375 | 103 | 440               | 360 | 440 | 360 |
| BIL - 70200 | 500          | x 200 | x 120 | x 425 | x 125 | 475          | 175 | 103 | 540               | 460 | 240 | 160 |
| BIL - 70210 | 500          | x 300 | x 120 | x 425 | x 225 | 475          | 275 | 103 | 540               | 460 | 340 | 260 |
| BIL - 70220 | 600          | x 200 | x 120 | x 525 | x 125 | 575          | 175 | 103 | 640               | 560 | 240 | 160 |
| BIL - 70230 | 600          | x 300 | x 120 | x 525 | x 225 | 575          | 275 | 103 | 640               | 560 | 340 | 260 |
| BIL - 70240 | 600          | x 400 | x 120 | x 525 | x 325 | 575          | 375 | 103 | 640               | 560 | 440 | 360 |
| BIL - 70250 | 800          | x 200 | x 120 | x 725 | x 125 | 775          | 175 | 103 | 840               | 760 | 240 | 160 |
| BIL - 70260 | 800          | x 400 | x 120 | x 725 | x 325 | 775          | 375 | 103 | 840               | 760 | 440 | 360 |

\*All dimensions in mm

## Terminal Box IP 66 - Mounting Details

| CAT. NO.    | OVERALL SIZE |       |       |       |       | OPENING SIZE |     |     | MOUNTING POSITION |     |     |     |
|-------------|--------------|-------|-------|-------|-------|--------------|-----|-----|-------------------|-----|-----|-----|
|             | A            | B     | C     | D     | E     | a            | b   | d   | W1                | W2  | H1  | H2  |
| BIL - 80000 | 150          | x 150 | x 80  | x 75  | x 75  | 125          | 125 | 63  | 190               | 110 | 190 | 110 |
| BIL - 80100 | 200          | x 150 | x 80  | x 125 | x 75  | 175          | 125 | 63  | 240               | 160 | 190 | 110 |
| BIL - 80010 | 300          | x 150 | x 80  | x 225 | x 75  | 275          | 125 | 63  | 340               | 260 | 190 | 110 |
| BIL - 80020 | 200          | x 200 | x 80  | x 25  | x 125 | 175          | 175 | 63  | 240               | 160 | 240 | 160 |
| BIL - 80030 | 300          | x 200 | x 80  | x 225 | x 125 | 275          | 175 | 63  | 340               | 260 | 240 | 160 |
| BIL - 80110 | 400          | x 200 | x 80  | x 325 | x 125 | 375          | 175 | 63  | 440               | 360 | 240 | 160 |
| BIL - 80130 | 600          | x 200 | x 80  | x 525 | x 125 | 575          | 175 | 63  | 640               | 560 | 240 | 160 |
| BIL - 80040 | 150          | x 150 | x 120 | x 75  | x 75  | 125          | 125 | 103 | 190               | 110 | 190 | 110 |
| BIL - 80150 | 200          | x 150 | x 120 | x 125 | x 75  | 175          | 125 | 103 | 240               | 160 | 190 | 110 |
| BIL - 80050 | 200          | x 150 | x 120 | x 225 | x 75  | 275          | 125 | 103 | 340               | 260 | 190 | 110 |
| BIL - 80060 | 200          | x 200 | x 120 | x 25  | x 125 | 175          | 175 | 103 | 240               | 160 | 240 | 160 |
| BIL - 80070 | 300          | x 200 | x 120 | x 225 | x 125 | 275          | 175 | 103 | 340               | 260 | 240 | 160 |
| BIL - 80090 | 300          | x 300 | x 120 | x 225 | x 225 | 275          | 275 | 103 | 340               | 260 | 340 | 260 |
| BIL - 80170 | 400          | x 150 | x 120 | x 325 | x 75  | 375          | 125 | 103 | 440               | 360 | 190 | 110 |
| BIL - 80080 | 400          | x 200 | x 120 | x 325 | x 125 | 375          | 175 | 103 | 440               | 360 | 240 | 160 |
| BIL - 80180 | 400          | x 300 | x 120 | x 325 | x 225 | 375          | 275 | 103 | 440               | 360 | 340 | 260 |
| BIL - 80190 | 400          | x 400 | x 120 | x 325 | x 325 | 375          | 375 | 103 | 440               | 360 | 440 | 360 |
| BIL - 80200 | 500          | x 200 | x 120 | x 425 | x 125 | 475          | 175 | 103 | 540               | 460 | 240 | 160 |
| BIL - 80210 | 500          | x 300 | x 120 | x 425 | x 225 | 475          | 275 | 103 | 540               | 460 | 340 | 260 |
| BIL - 80220 | 600          | x 200 | x 120 | x 525 | x 125 | 575          | 175 | 103 | 640               | 560 | 240 | 160 |
| BIL - 80230 | 600          | x 300 | x 120 | x 525 | x 225 | 575          | 275 | 103 | 640               | 560 | 340 | 260 |
| BIL - 80240 | 600          | x 400 | x 120 | x 525 | x 325 | 575          | 375 | 103 | 640               | 560 | 440 | 360 |
| BIL - 80250 | 800          | x 200 | x 120 | x 725 | x 125 | 775          | 175 | 103 | 840               | 760 | 240 | 160 |
| BIL - 80260 | 800          | x 400 | x 120 | x 725 | x 325 | 775          | 375 | 103 | 840               | 760 | 440 | 360 |

\*All dimensions in mm



### 'BCH - SS' (Stainless Steel)

- Fabricated from 1.2/1.6 mm stainless steel sheet
- Mounting Plate made up of 2.0mm Galvanised steel
- SS grade 304
- Foamed - in PU gasket
- Box upto BIL - 90405020 is made up of 1.2 mm SS & above of 1.6 MM SS.
- 120 deg door open-able concealed hinge door with cam locking arrangement.

| Type            | Size (WxHxD)<br>mm | MOQ<br>Nos. | Cat No.      | List Price<br>Rs. |
|-----------------|--------------------|-------------|--------------|-------------------|
| SINGLE DOOR BOX | 200X300X150        | 10          | BIL-90203015 | Price on request  |
| SINGLE DOOR BOX | 300X300X200        | 10          | BIL-90303020 |                   |
| SINGLE DOOR BOX | 400X400X200        | 10          | BIL-90404020 |                   |
| SINGLE DOOR BOX | 400X500X200        | 10          | BIL-90405020 |                   |
| SINGLE DOOR BOX | 400X600X200        | 10          | BIL-90406020 |                   |
| SINGLE DOOR BOX | 500X600X200        | 10          | BIL-90506020 |                   |
| SINGLE DOOR BOX | 600X600X200        | 10          | BIL-90606020 |                   |
| SINGLE DOOR BOX | 600X800X200        | 10          | BIL-90608020 |                   |
| SINGLE DOOR BOX | 500X700X300        | 10          | BIL-90507030 |                   |
| SINGLE DOOR BOX | 800X800X300        | 10          | BIL-90808030 |                   |

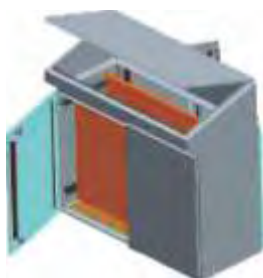
MOQ - Minimum order quantity in nos.  
Note - SS grade 304

### Highlights of BCH MCC / PCC Cubicle

- 100% Modular Structure; can be dispatched into flat pack.
- Flexible Horizontal / Vertical busbar and Cable Compartment Configuration.
- Compartmentalised - upto Form 4.
- IP 54 with polyurethane foam gasketing.
- Doors available in height of 200mm & multiples of 100mm.
- Horizontal Busbar chambers, Vertical cable chambers are provided with Individual bolted cover
- Rear bolted covers.
- Plinth (modular) & Side cover (Optional).
- Wide Variety of Standard MCC range.
- Additional accessories like Cable support, Busbar Support and Baying kit are available.
- Double front execution can also be provided.
- Lifting Channel provided as standard (instead of Eye-bolts) for higher load-carrying capacity.
- Adjustable (Depth wise at the pitch of 25mm) mounting plates.
- Bus Bar chamber (Top / Bot) and Feeder doors (Left / Right) are interchangeable.
- Doors are open able with hinges for 120 degree opening and Metal locks.
- Panel can be expanded in all 3 dimensions and bayed together by using Baying Kit.
- All cornerbars and crossbars can be placed at 25mm intervals horizontal, vertical, longitudinal.
- Horizontal & vertical separation plates are provided between all feeder compartments.
- Colours: RAL-7035 (structure finish) for structure, covers & doors. RAL-2000 (smooth finish) for Plate, RAL-9000 (smooth finish) for Plinth and lifting channel.
- Sheet thickness 2.0mm GPSP for Structure, 2.0mm CRCA for mtg plate & mtg rail, 1.6mm CRCA for Covers & Doors, 1.2mm CRCA for Separation Plates.



### BCH Control Desk







100%  
Bolted

## Modular Enclosures

Contemporary, highly flexible modular enclosure system for versatile applications. Ideally suited for AC Drives / Automation Control / Power Distribution and for Industrial Controls. Apart from standard Form-1 configuration, also possible to offer semi / fully compartmentalised options upto Form 3b that facilitates adaptability for MCCs, PDBs, APFC control, etc. As the name suggests the construction is fully modular and offers flexibility of flat pack shipment. There is a separate robust subframe, covered with Doors and Covers protected against ingress by highly resilient foamed-in PU gasket. The mounting plate with high load bearing capacity is depth adjustable

**The design incorporates user friendly features and accessories, viz.**

- (a) Adjustable support members
- (b) Removable doors and covers
- (c) Gland plate
- (d) Lifting eye bolts (lifting channel for extra wide enclosures)
- (e) Baying kit (for joining adjacent enclosures)
- (f) Wiring plan pocket
- (g) Modular plinth
- (h) Bolted stiffener for door
- (i) Robust 3 point locking for doors
- (j) Possibility of offering Louvers with filters, Fans, Limit switch, Multipart mounting plate, AVM pads, and 19" angle adaptors
- (k) All along the internal sub frame, there is M6 tapping every 25mm that offers unmatched flexibility of site fixing of various accessories, supports, brackets, fittings, etc. without need of hole drilling

**General Technical Particulars:**

- IP54/55 degree of protection
- Fabricated from 2/1.6 mm CRCA/GPSP (frame made up of 2.0mm GPSP, doors & covers made up of 1.6 mm CRCA).
- Mounting plate 3mm thick - standard & Powder Coated to RAL- 2000
- Plinth (optional) 100mm high fabricated from 2mm
- Cable entry provision is given from bottom as standard
- Foamed-in PU gasket.
- Powder coated to RAL: 7035 structure finish.
- Hinge design allows 120 deg. Door opening.
- 3 Point lock provided as standard.
- Door Stiffener with provision of drilling holes for wiring harness.
- Side Covers- pair: consisting of 1no. LHS and 1 no. RHS cover
- Upto 800 mm width single door. 1000 mm & 1200 mm width double door.



| Size in mm<br>W x H x D | Enclosure<br>Catalogue No. | Plinth<br>Catalogue No. | Side Covers<br>(Pair) Catalogue No. |
|-------------------------|----------------------------|-------------------------|-------------------------------------|
| 600x1800x400            | TME 061804                 | TPL 061804              | TSC 061804                          |
| 800x1800x400            | TME 081804                 | TPL 081804              | TSC 081804                          |
| 1000x1800x400           | TME 101804                 | TPL 101804              | TSC 101804                          |
| 1200x1800x400           | TME 121804                 | TPL 121804              | TSC 121804                          |
| 600x1800x500            | TME 061805                 | TPL 061805              | TSC 061805                          |
| 800x1800x500            | TME 081805                 | TPL 081805              | TSC 081805                          |
| 1000x1800x500           | TME 101805                 | TPL 101805              | TSC 101805                          |
| 1200x1800x500           | TME 121805                 | TPL 121805              | TSC 121805                          |
| 600x2000x400            | TME 062004                 | TPL 062004              | TSC 062004                          |
| 800x2000x400            | TME 082004                 | TPL 082004              | TSC 082004                          |
| 1000x2000x400           | TME 102004                 | TPL 102004              | TSC 102004                          |
| 1200x2000x400           | TME 122004                 | TPL 122004              | TSC 122004                          |
| 400x2000x500            | TME 042005                 | TPL 042005              | TSC 042005                          |
| 600x2000x500            | TME 062005                 | TPL 062005              | TSC 062005                          |
| 800x2000x500            | TME 082005                 | TPL 082005              | TSC 082005                          |
| 1000x2000x500           | TME 102005                 | TPL 102005              | TSC 102005                          |
| 1200x2000x500           | TME 122005                 | TPL 122005              | TSC 122005                          |

| Size in mm<br>W x H x D | Enclosure<br>Catalogue No. | Plinth<br>Catalogue No. | Side Covers<br>(Pair) Catalogue No. |
|-------------------------|----------------------------|-------------------------|-------------------------------------|
| 400x2000x600            | TME 042006                 | TPL 042006              | TSC 042006                          |
| 600x2000x600            | TME 062006                 | TPL 062006              | TSC 062006                          |
| 800x2000x600            | TME 082006                 | TPL 082006              | TSC 082006                          |
| 1000x2000x600           | TME 102006                 | TPL 102006              | TSC 102006                          |
| 1200x2000x600           | TME 122006                 | TPL 122006              | TSC 122006                          |
| 600x2000x800            | TME 062008                 | TPL 062008              | TSC 062008                          |
| 800x2000x800            | TME 082008                 | TPL 082008              | TSC 082008                          |
| 1000x2000x800           | TME 102008                 | TPL 102008              | TSC 102008                          |
| 1200x2000x800           | TME 122008                 | TPL 122008              | TSC 122008                          |
| 600x2200x600            | TME 062206                 | TPL 062206              | TSC 062206                          |
| 800x2200x600            | TME 082206                 | TPL 082206              | TSC 082206                          |
| 1000x2200x600           | TME 102206                 | TPL 102206              | TSC 102206                          |
| 1200x2200x600           | TME 122206                 | TPL 122206              | TSC 122206                          |
| 600x2200x800            | TME 062208                 | TPL 062208              | TSC 062208                          |
| 800x2200x800            | TME 082208                 | TPL 082208              | TSC 082208                          |
| 1000x2200x800           | TME 102208                 | TPL 102208              | TSC 102208                          |
| 1200x2200x800           | TME 122208                 | TPL 122208              | TSC 122208                          |

All dimensions in mm

Enclosure Versions :

- 001 - With mounting plate and rear cover
- 002 - With mounting plate and rear door
- 003 - Without mounting plate and with rear cover
- 004 - Without mounting plate and with rear door

Ordering Information :

- (a) Choose Cat. No. of Enclosure version from 001, 002, 003 or 004
- (b) Add Cat. No. of Plinth
- (c) Add Cat. No. of Side Covers pair

# Techno Racks



## Networking Racks

BCH's floor standing racks are the most versatile rack platform. It enables easy mounting of the component to fit into your applications. From consistent Steel profiles to precision-engineered panels with the highest tolerances for fit and finish in the industry, the racks are simply the finest Indian modular racks available; in big range of sizes for single and baying applications.

The Networking racks come with front glass door, rear door and side covers partially perforated for cross flow of ambient air. The recess rails give flexibility of placing the 19" channels from front to rear at a pitch of 25mm.

## Wall Mounting Enclosure/Cabinet

Simplicity of the design with various size variants gives more choices for selection. The "Ready to use" enclosures make it more easy. The sleek look with sturdy construction and vents for air circulation mean that these enclosures can be used for various wall mounting applications.

## Server Racks

Our elegant, robust server rack structure has appropriate suitability for rack mounting heavy-duty servers. The vents for airflow have been given top attention for the cross flow of ambient air to cool down the servers. Provision for ventilation is given from front to rear and roof as well. BCH 19" floor standing racks offer the best solution in terms of suitability and value for money. BCH floor standing racks are used to keep servers and other active IT equipments in systematic, secure and consolidated manner.

## ETSI Racks

BCH also offers racks as per the ETSI standard. These racks are mainly used for telecom application. They are available in 2200mm height with 2 depths of 300mm and 600mm.

Switchgear & Control Gear

Automation

Enclosures

Electric Motors

Wires & Cables

Reactive Power Management

Brakes and Crane Control

Custom Build Products

*a strong commitment to serve better always ...*



## BCH ELECTRIC LIMITED

Visit us at : [www.bchindia.com](http://www.bchindia.com)

**Corporate Office :** 1105, New Delhi House, 27, Barakhamba Road, New Delhi-110 001 Tel. : 91-11-23316029/3610/6539/43673100 Fax : 91-11-23715247 E-mail : [marketing@bchindia.com](mailto:marketing@bchindia.com)

**Registered Office :** Block 1E, 216, Acharya Jagadish Chandra Bose Road, Kolkata - 700 017

**Works 1 :** 20/4, Mathura Road, Faridabad-121 006 (Haryana) Tel. : 0129-4063000/4293000 Fax : 0129-2304016

**Works 2 :** 64-68, Sector-7, IIE, Pant Nagar, Rudrapur, Udham Singh Nagar - 263 153 (Uttarakhand) Tel. : 05944-250214/16 Fax : 05944-250215

### Sales Offices :

**Ahmedabad**  
93, City Centre,  
Near Swastik Char Rasta,  
C.G. Road, Navrangpura,  
Ahmedabad-380 009  
**Tel. : 079-26565719/40074482**  
Fax : 079-26565719  
E-mail : [ahmedabad@bchindia.com](mailto:ahmedabad@bchindia.com)

**Bangalore**  
B.M.H. Complex, 2nd Floor,  
No. 22, Kengal Hanumanthiah Road,  
Bangalore - 560 027  
**Tel. : 080-22273478/41144878/41144879**  
Fax : 080-22236759  
E-mail : [bangalore@bchindia.com](mailto:bangalore@bchindia.com)

**Chandigarh**  
SCO 121-22-23, 1st Floor,  
Sector 34-A, Chandigarh - 160 022  
**Tel. : 0172-5078957/2666122**  
Fax : 0172-5049905  
E-mail : [chandigarh@bchindia.com](mailto:chandigarh@bchindia.com)

**Chennai**  
Flat No. 3A, 3rd Floor,  
Sree Apartments,  
No.508, TTK Road,  
Alwarpet, Chennai 600 018  
**Tel. : 044-24337046, 24337047**  
Fax : 044-24337047  
E-mail : [chennai@bchindia.com](mailto:chennai@bchindia.com)

**Coimbatore**  
87, Dr. Nanjappa Road,  
Coimbatore - 641 018  
**Tel. : 0422-2305311**  
Fax : 0422-2302599  
E-mail : [coimbatore@bchindia.com](mailto:coimbatore@bchindia.com)

**Faridabad**  
20/4, Mathura Road,  
Faridabad - 121 006 (Haryana)  
**Tel. : 0129-2304016**  
E-mail : [faridabad@bchindia.com](mailto:faridabad@bchindia.com)

**Hyderabad**  
1-8-303/48/13/102, Arya One,  
2nd Floor, P. G. Road,  
Secunderabad - 500 003  
**Tel. : 040-66206263/27890306**  
Fax : 040-66207273  
E-mail : [hyderabad@bchindia.com](mailto:hyderabad@bchindia.com)

**Indore**  
330-331, Indraprastha Tower,  
3rd Floor, 6, M.G. Road,  
Indore - 452 001  
**Tel. : 0731-2510011**  
Fax : 0731-2510012  
E-mail : [indore@bchindia.com](mailto:indore@bchindia.com)

**Jaipur**  
25, Halthroi, Gopalbari,  
Jaipur - 302 001  
**Tel. : 0141-5104521**  
Fax : 0141-2363521  
E-mail : [jaipur@bchindia.com](mailto:jaipur@bchindia.com)

**Jamshedpur**  
3rd Floor, Aastha Trade Centre,  
'Q' Road, Bistupur,  
Jamshedpur - 831 001  
**Tel. : 0657-2756171/2756157**  
E-mail : [jamshedpur@bchindia.com](mailto:jamshedpur@bchindia.com)

**Kolkata**  
East India House, 3rd Floor,  
20-B, Abdul Hamid Street,  
Kolkata - 700 069  
**Tel. : 033-22138508-12**  
Fax : 033-22138511  
E-mail : [kolkata@bchindia.com](mailto:kolkata@bchindia.com)

**Lucknow**  
Madan Plaza, 3rd Floor,  
14, Station Road,  
Lucknow - 226 001  
**Tel. : 0522-4025597/4025997**  
Fax : 0522-4025697  
E-mail : [lucknow@bchindia.com](mailto:lucknow@bchindia.com)

**Ludhiana**  
S.C.O.-18, 2nd Floor,  
Feroze Gandhi Market,  
Ludhiana - 140 001  
**Tel. : 0161-5021807/5022808**  
Fax : 0161-5021807  
E-mail : [ludhiana@bchindia.com](mailto:ludhiana@bchindia.com)

**Mumbai**  
A-151, Mittal Tower,  
Nariman Point,  
Mumbai - 400 021  
**Tel. : 022-22822947/22826039**  
Fax : 022-22822858  
E-mail : [mumbai@bchindia.com](mailto:mumbai@bchindia.com)

**Nagpur**  
3rd Floor, "Paradise Plaza",  
Kadbi Chowk,  
Nagpur - 440 004,  
**Tel. : 0712-2041518**  
Telefax : 0712-2041670  
E-mail : [nagpur@bchindia.com](mailto:nagpur@bchindia.com)

**New Delhi**  
801, Akash Deep Building,  
26A, Barakhamba Road,  
New Delhi - 110 001  
**Tel. : 011-23313878/66307065**  
Fax : 011-23739230  
E-mail : [delhi@bchindia.com](mailto:delhi@bchindia.com)

**Pune**  
8, Sarosh Bhavan,  
16-B/1, Dr. Ambedkar Road,  
Pune - 411 001  
**Tel. : 020-26052590**  
Telefax : 020-26135224  
E-mail : [pune@bchindia.com](mailto:pune@bchindia.com)

**Raipur**  
2nd Floor, Building No. B-234,  
Indira Gandhi Vyvasayik Parisar,  
Pandri, Raipur - 492 004  
**Tel. : 0771-4020213**  
Fax : 0771-2582680  
E-mail : [raipur@bchindia.com](mailto:raipur@bchindia.com)

**Surat**  
601/A,  
21st Century Business Centre,  
Ring Road, Surat - 395 002  
**Tel. : 0261-2331840**  
Fax : 0261-2331841  
E-mail : [surat@bchindia.com](mailto:surat@bchindia.com)

**Trichy**  
Kingsstone Park, 2nd Floor,  
19/1, Puthur High Road,  
Ramalinga Nagar,  
Trichy - 620 017  
**Tel. : 0431-4040497**  
E-mail : [trichy@bchindia.com](mailto:trichy@bchindia.com)

**Vadodara**  
301, Third Floor, "Florence Classic",  
10, Ashapuri Co-Op. Hsg. Soc. Ltd., Opp. VUDA Housing,  
Near Cow Circle, Akota, Vadodara - 390 020  
**Tel. : +91-265-6548444/2345068/2345069**  
Telefax : 0265-2345068,  
E-mail : [vadodara@bchindia.com](mailto:vadodara@bchindia.com)

### Other Branch Locations

**Bhubaneswar :** [bhubaneswar@bchindia.com](mailto:bhubaneswar@bchindia.com), **Cochin :** [cochin@bchindia.com](mailto:cochin@bchindia.com), **Dehradun :** [dehradun@bchindia.com](mailto:dehradun@bchindia.com), **Gurgaon :** [gurgaon@bchindia.com](mailto:gurgaon@bchindia.com), **Guwahati :** [guwahati@bchindia.com](mailto:guwahati@bchindia.com),  
**Hospet :** [hospet@bchindia.com](mailto:hospet@bchindia.com), **Hubli :** [hubli@bchindia.com](mailto:hubli@bchindia.com), **Madurai :** [madurai@bchindia.com](mailto:madurai@bchindia.com), **Vishakapatnam :** [vizag@bchindia.com](mailto:vizag@bchindia.com)

### Resident Engineer Locations

|             |          |               |               |
|-------------|----------|---------------|---------------|
| Baddi       | Gurgaon  | Madurai       | Salem         |
| Bardhaman   | Haridwar | Muzaffarnagar | Udaipur       |
| Bhilai      | Hubli    | Nashik        | Vapi          |
| Bhubaneswar | Hospet   | Patna         | Vishakapatnam |
| Cochin      | Jodhpur  | Puducherry    | Warangal      |
| Dehradun    | Kakinada | Rajkot        |               |
| Durgapur    | Kota     | Rajahmundry   |               |

Since product improvement is a continuous process, the data furnished in this brochure may undergo revision without prior notice.